

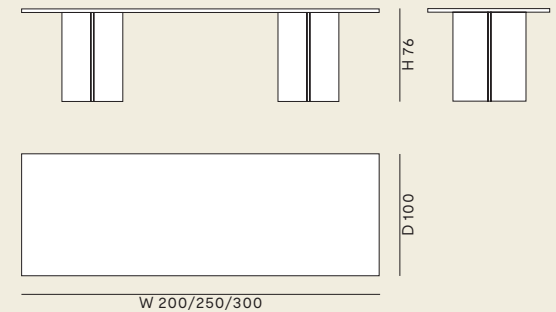
BARON TABLE
INSTRUCTION MANUAL



Baron table features a deliberately essential design to show the beauty of the solid wood to its best advantage.

With carefully selected timber, each piece is wonderfully unique. Suitable for a wide range of settings, and also available in a version with a cable run for use as a desk or conference table.

Baron Table



 **PASSONI**
Natural culture.

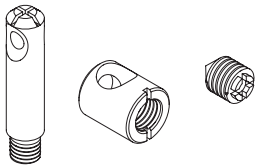


Il marchio della gestione forestale responsabile.



passonidesign.it

TOOLS



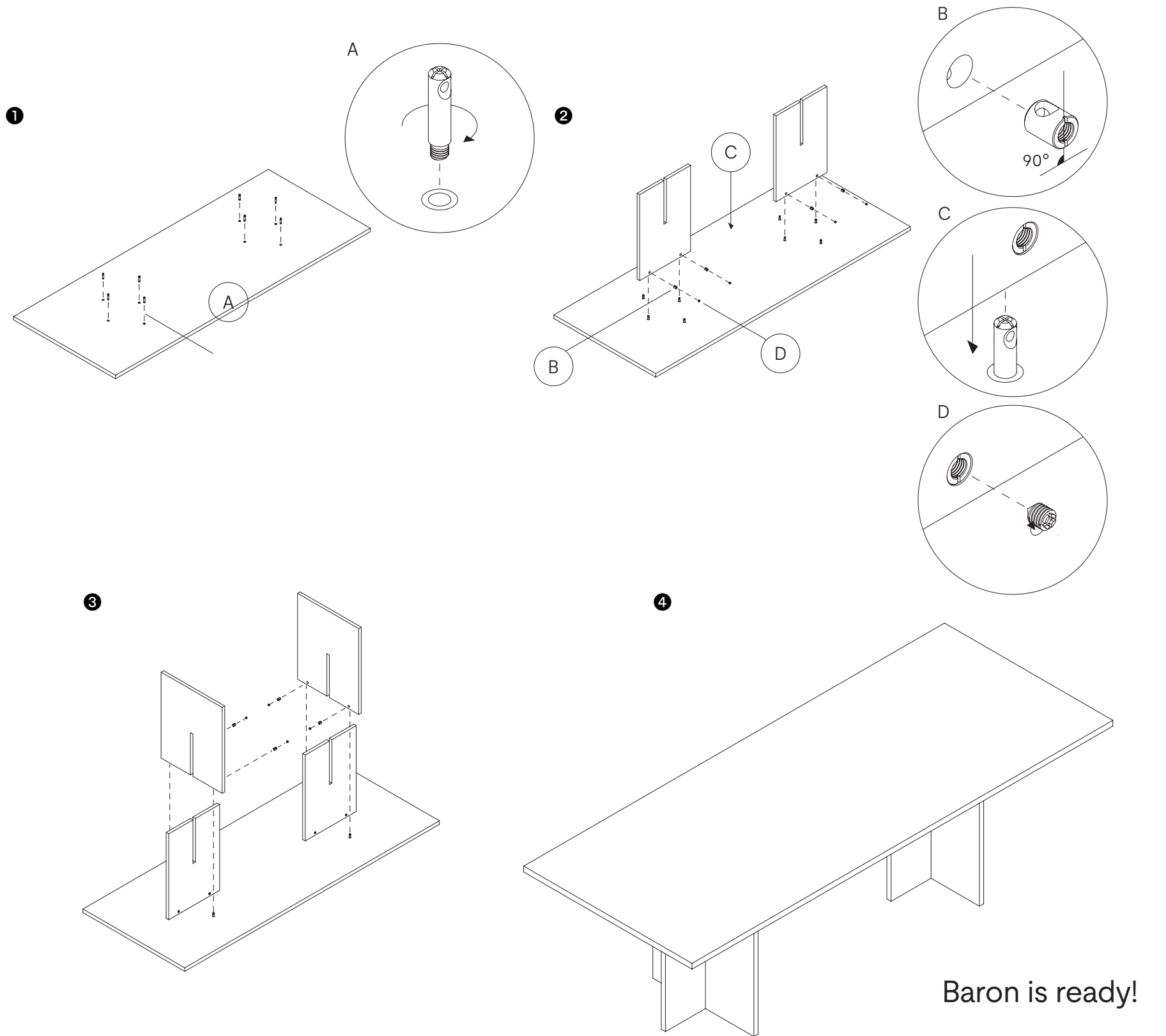
×8

TOPS

(misure)

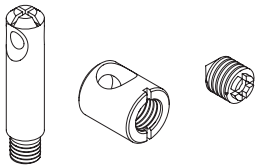
LEGS

(misure)



Baron is ready!

TOOLS



×8

